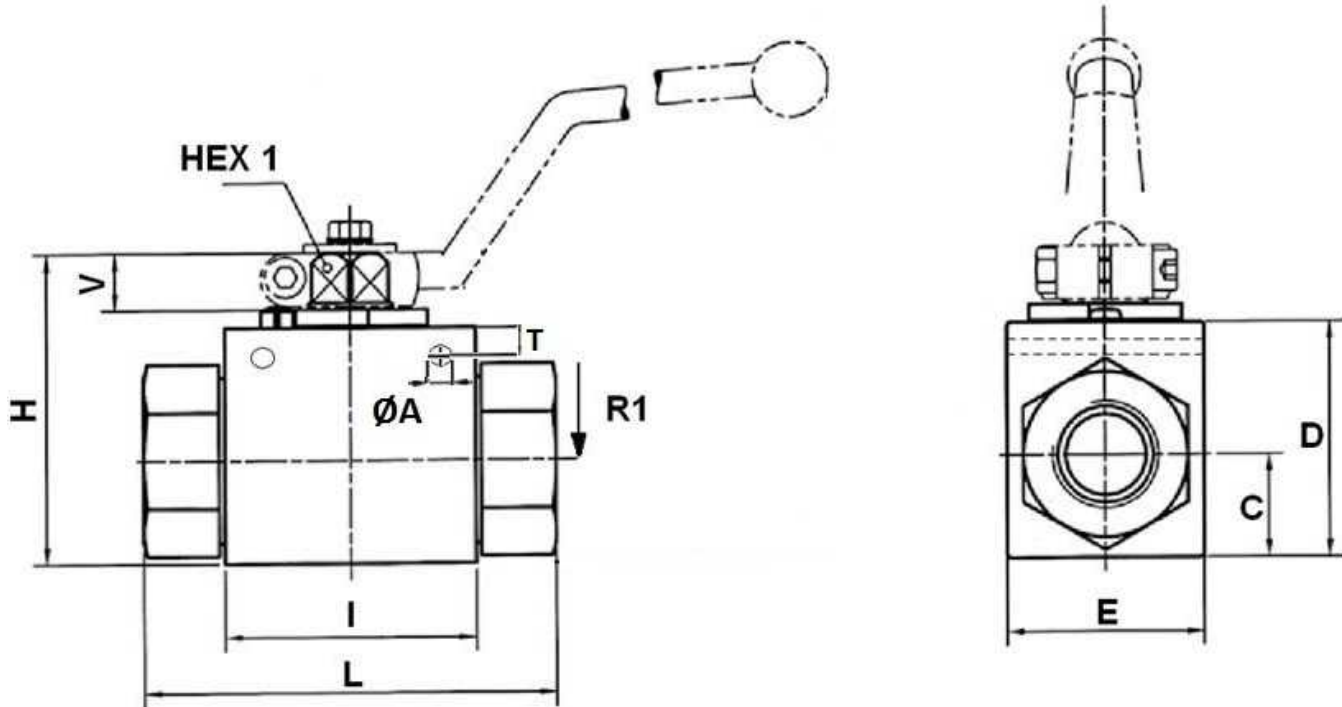


TrAle Ball Valves

TrAle Ball Valves

## 2 Ways ball valve BSP female with holes

Page: 1/1



Standard o-ring: NBR

Ball seat: POM (polyoxy methylene)

Part n°	DN	R1	MAX. PRESSURE (bar)	HEX 1	ØA	C	D	E	H	I	L	T	V
<b>GB2V 1/4</b>	6	1/4" BSP	500	9	4,5	13	32	28	44,5	37	69	5	8
<b>GB2V 3/8</b>	10	3/8" BSP	500	9	6,5	17	40	32	52,5	42	72	5	8
<b>GB2V 1/2</b>	13	1/2" BSP	500	9	6,5	17	40	35	52,5	48	83	4,8	8
<b>GB2V 3/4</b>	20	3/4" BSP	315	14	6,5	24	57	48	75	60	95	6,5	12
<b>GB2V 1</b>	25	1" BSP	315	14	6,5	28,5	64	57	82	65	113	6	12