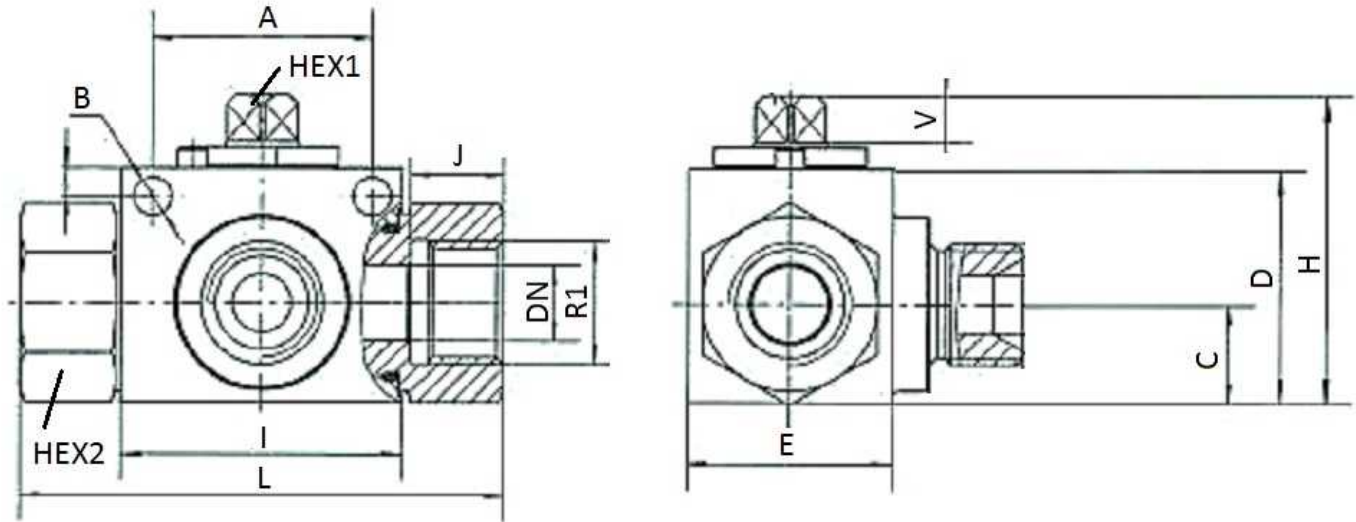


TrAle Ball Valves

TrAle Ball Valves

3 Ways ball valve female-male(60°)-female (L type)

Page: 1/1



With fixing holes

Standard o-ring: NBR

Ball seat: POM (polyoxy methylene)

Part n°	DN	R1	Working Pressure (bar)	HEX 1	HEX 2	ØB	A	C	D	E	H	I	J	L	V
GB3V 1/4	6	1/4" BSP	500	9	22	4.5	26	13	32	28	44,5	37	14	69	8
GB3V 3/8	10	3/8" BSP	500	9	27	6.5	32	17	40	32	52,5	42	14	72	8
GB3V 1/2	13	1/2" BSP	500	9	30	6.5	37.5	17	40	35	52,5	48	16	83	8
GB3V 3/4	20	3/4" BSP	315	14	41	6.5	45	24	57	48	75	60	18	95	12
GB3V 1	25	1" BSP	250	14	50	6.7	55	28,5	64	57	82	65	20,5	113	12

Lever included