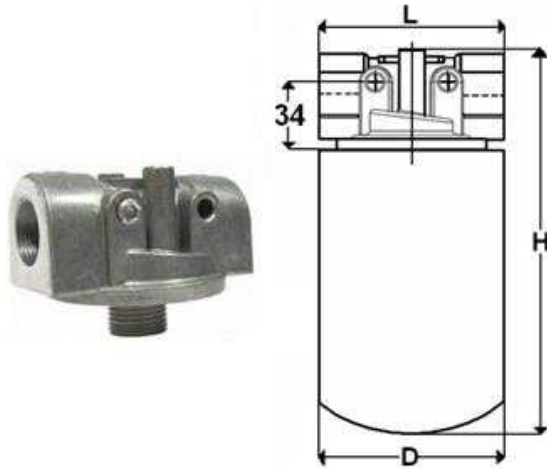
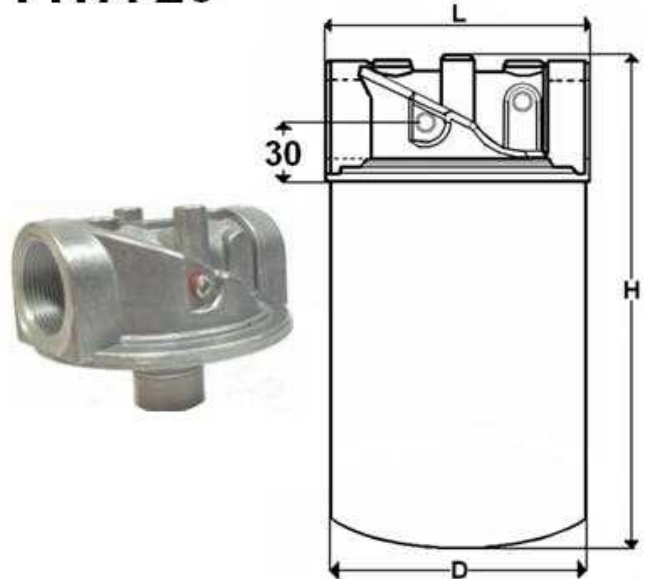


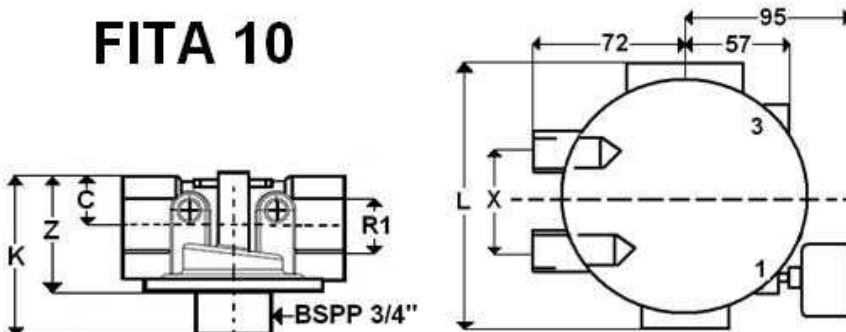
FITA 10



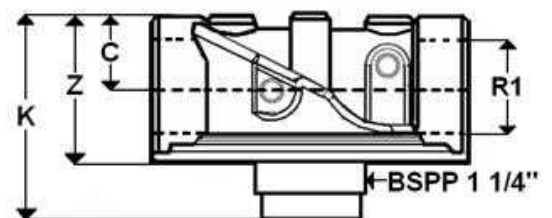
FITA 20



FITA 10



FITA 20



Materials: die cast aluminium head

By-pass: -in Suction line= 0,2 bar
-in Return line=1 bar

As per NFPA T 3.10.17: Max.pressure:10 bar
Test pressure: 15 bar
Burst pressure:20 bar

Max. Temperature: 80°C

Part nº	R1	Type	Cartridge	C	D	H	K	L	X	Z
FITA10/11A	3/4" BSP	Suction	FITCA10/11	22	93	150	67	95	38	51
FITA20/21A	1"1/4 BSP	Suction	FITCA20/21	29	129	249	100	132	50	64
FITA10/11R	3/4" BSP	Return	FITCA10/11	22	93	150	67	95	38	51
FITA20/21R	1"1/4 BSP	Return	FITCA20/21	29	129	249	100	132	50	64