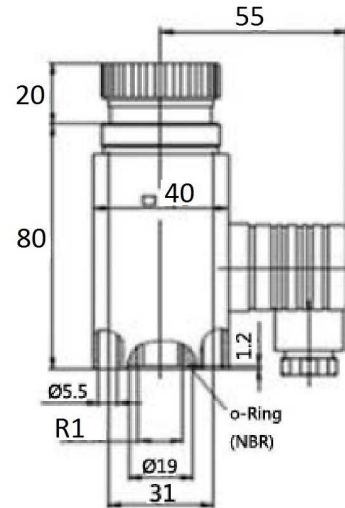
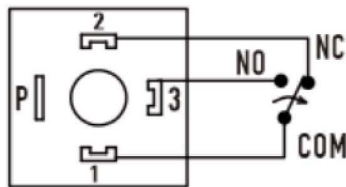


Pressure switches

Pressure switch

## Adjustable pressure switch piston

Page: 1/1



Part n°	R1	Max. Press. (bar)	P(IP)	Execution	Reg. rate (bar)
<b>PTCV3005100</b>	1/4 BSP	300	IP65	Piston	5 - 100 bar
<b>PTCV40020200</b>	1/4 BSP	400	IP65	Piston	20 - 200 bar
<b>PTCV50030300</b>	1/4 BSP	500	IP65	Piston	30 - 300 bar
<b>PTCV60040400</b>	1/4 BSP	600	IP65	Piston	40 - 400 bar

-20°C +90°C