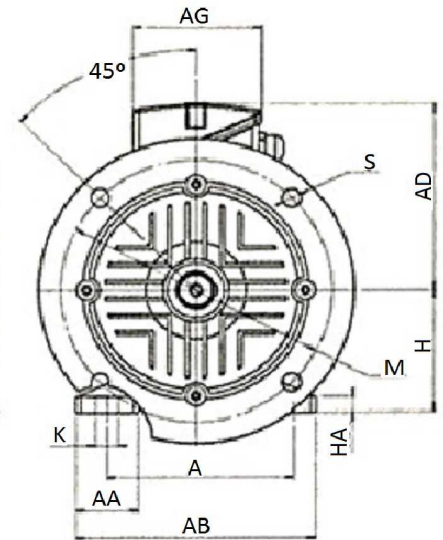
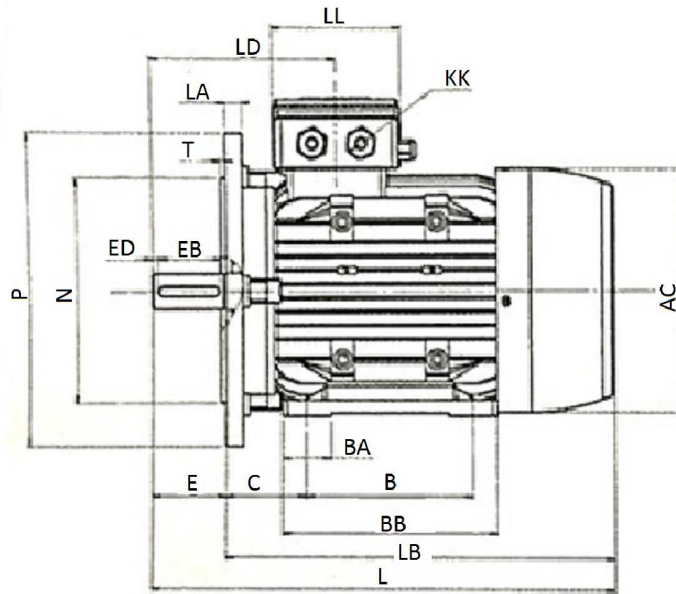


Electric motors

Electric motors three-phase current (220/380v)-1500 rpm

Electric motors triphase with flange and legs (B3B5)

Page: 1/2



Ref.	Type	A	AA	AB	AC	AD	AG	B	BA	BB	C	D	DH	E	EB	ED	F	G	GA	H	HA	K	METRIC	L	LA	LB	LD	LL	M	N	P	S	T
MET0.75B3B5 H MET1B3B5 H	80	125	35	157	158	129	104	100	31	125	50	19	M6X16	40	30	5	6	15.5	21.5	80	8	10X14	2-M25X1.5	290	12	250	75	104	165	130	200	12	3.5
MET1.5B3B5 H	90S	140	37	173	175	140	104	100	31.5	125	56	24	M8X19	50	40	5	8	20	27	90	10	10X14	2-M25X1.5	325	12	275	95	104	165	130	200	12	3.5
MET2B3B5 H	90L	140	37	173	175	140	104	125	31.5	150	56	24	M8X19	50	40	5	8	20	27	90	10	10X14	2-M25X1.5	350	12	300	95	104	165	130	200	12	3.5
MET3B3B5 H MET4B3B5 H	100L	160	40	196	198	156	104	140	39	172	63	28	M10X22	60	50	5	8	24	31	100	11	12X16	2-M25X1.5	398	13	338	88.5	104	215	180	250	14.5	4
MET5.5B3B5 H	112M	190	41	227	219	166	124	140	43	180	70	28	M10X22	60	50	5	8	24	31	112	12	12X16	2-M32X1.5	447	14	387	92	114	215	180	250	14.5	4
MET7.5B3B5 H	132S	216	51	262	258	188	124	140	46	186	89	38	M12X28	80	65	7.5	10	33	41	132	15	12X16	2-M32X1.5	475	14	395	100	114	265	230	300	14.5	4
MET10B3B5 H	132M	216	51	262	258	188	124	178	46	224	89	38	M12X28	80	65	7.5	10	33	41	132	15	12X16	2-M32X1.5	513	14	433	100	114	265	230	300	14.5	4
MET15B3B5 H	160M	254	55	304	315	242	162	210	50	260	108	42	M16X36	110	90	10	12	37	45	160	18	15X18	2-M40X1.5	609	15	499	158.5	154	300	250	350	18.5	5
MET20B3B5 H	160L	254	55	304	315	242	162	254	50	304	108	42	M16X36	110	90	10	12	37	45	160	18	15X18	2-M40X1.5	653	15	543	158.5	154	300	250	350	18.5	5

Ref.	Rated Output		Rated Speed rpm	Efficiency %	Power Factor cos φ	Rated Current			Rated Torque Nm	Ts/Tn	Tmax/Tn	Is/In	Weight kg
	kW	HP				380	400	415					
MET0.25B3B5 H	0.18	0.25	1310	60.0	0.73	0.62	0.59	0.57	1.26	2.1	2.2	4.4	4.5

0-10CV: Aluminium
10-30CV: Molten body

Electric motors

Electric motors three-phase current (220/380v)-1500 rpm

Electric motors triphase with flange and legs (B3B5)

Page: 2/2

Part n°	Voltage (V)	Shaft	Flange diam.	R.P.M.	POWER (HP)
MET0.25B3B5 H	220/380	11	140	1500	0,25
MET0.33B3B5 H	220/380	14	160	1500	0,33
MET0.5B3B5 H	220/380	14	160	1500	0,5
MET0.75B3B5 H	220/380	19	200	1500	0,75
MET1B3B5 H	220/380	19	200	1500	1
MET1.5B3B5 H	220/380	24	200	1500	1,5
MET2B3B5 H	220/380	24	200	1500	2
MET3B3B5 H	220/380	28	250	1500	3
MET4B3B5 H	220/380	28	250	1500	4
MET5.5B3B5 H	220/380	28	250	1500	5.5
MET7.5B3B5 H	220/380	38	300	1500	7,5
MET10B3B5 H	400/690	38	300	1500	10
MET15B3B5 H	400/690	38	300	1500	15
MET20B3B5 H	400/690	42	350	1500	20
MET30B3B5 H	400/690	48	350	1500	30

*** Review attached PDF***

50 Hz --- 220/380V

60 Hz --- 440V

Insulation class: F

Protection: IP55