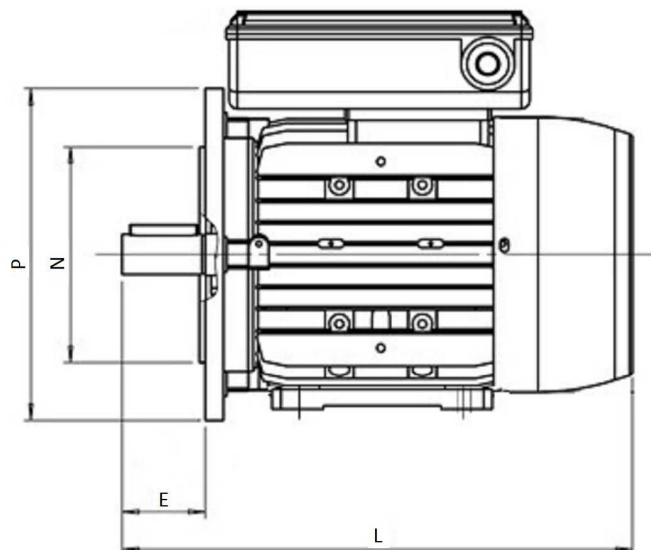
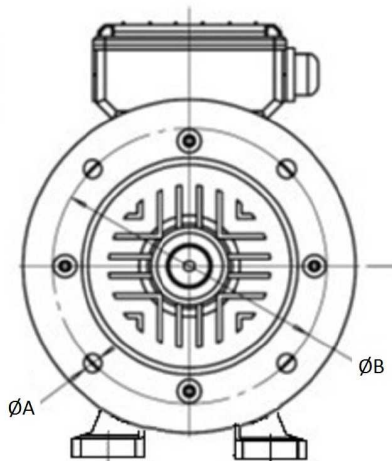


Electric motors

Electric motors single-phase current (220/50v)-1500 rpm - high starting torq

Electrical motors H.T. single-phase with flange and legs (B3B5)

Page: 1/1



Part n°	Voltage (V)	Shaft	Flange diam.	R.P.M.	POWER (HP)	ØA	B	E	L	N	P
MEMAP0.33B3B5 H	220/50	14	200	1500	0,37	10	130	30	255	110	160
MEMAP0.5B3B5 H	220/50	14	200	1500	0,5	10	130	30	255	110	160
MEMAP0.75B3B5 H	220/50	19	200	1500	0,75	12	165	40	290	130	200
MEMAP1B3B5 H	220/50	19	200	1500	1	12	165	40	290	130	200
MEMAP1.5B3B5 H	220/50	24	200	1500	1,5	12	165	50	335	130	200
MEMAP2B3B5 H	220/50	24	200	1500	2	12	165	50	365	130	200
MEMAP3B3B5 H	220/50	28	250	1500	3	15	215	60	398	180	250

Insulation class: F
Protection: IP55
Cooling: IC411