



## Hose Clamps, Hose Clips and Ferrules



For hose assembly of fittings different assembly methods from strong clamps to light clips or ferrules can be used subject to application, media, pressure or hose material.

Selection Criterias are:

- Safety of the connection
- Removable or non-removable
- Quickness
- Necessary devices (z.B. crimping machine, pincer, screwdriver)
- Clean and injury risk free (e.g. by outstanding screws)

## Wide Range

At **LUDECKE** you find the perfect assembly method for a large number of application areas

	Hose Clamps - Standard Version	Hose Clamps - US Version	Double-Ear Hose Clips	High-Performance Hose Clips	Heavy Duty Clamps	Ferrules for Low Pressure
						
Clamps:	Malleable iron zinc-pl. and yellow pas./ Stainl. steel 1.4401	Malleable iron zinc-plated and yellow passivated	Unbreakable special reliable. steel zinc-pl. & blue chromated	-	-	-
Spacers:	Malleable iron zinc-pl. and yellow pas./ Stainl. steel 1.4401	-	-	-	-	-
Screws:	Steel zinc-plated/ Stainless steel A4-70	Steel zinc-plated	-	Steel W1 zinc-pl. and thick layer passiv/ Stainless steel W5	Steel zinc-plated	-
Band:	-	-	-	Steel W1 zinc-pl. and thick layer passiv/ Stainless steel W5	Stainless steel 1.4016	-
Body:	-	-	-	Steel W1 zinc-pl. and thick layer passiv/ Stainless steel W5	Steel zinc-plated	Tempered steel, zinc-pl. and yellow passivated
<b>Max. Working Press.:</b>	PN 16/ 25 bar	PN 25 bar	-	-	-	-
<b>Norm:</b>	DIN 20039 A/B	-	-	DIN 3017	DIN 3017	-
<b>Page:</b>	413	414	414	415/416	417	418

# Hose Clamps

## Standard Version

- Robust clamps made of malleable iron, zinc plated and yellow passivated (free of chrome VI) or stainless steel 1.4401
- Robust, easy and secure, for various fittings and applications

### Materials

- Clamps, Spacers: Malleable iron zinc-plated and yellow passivated (free of chrome VI)/ Stainless steel 1.4401
- Screws: Galvanized steel/ Stainless steel A4-70

Max. Working Pressure	Norm
PN 16 / 25 bar	DIN 20039 A/B

### Hose Clamps, made of malleable iron, two parts with overlapping cast-on-spacers

Hose-o.D./		L	B	Screw size	Weight	Type No.
Version	Range					
Hose i.D. 13	22-29	60	17	M 8x30	95	S 22
Hose i.D. 19	27-32	70.5	17	M 8x30	105	S 34

### Hose Clamps DIN 20039 A, made of stainless steel 1.4401, two parts with loose spacers

Hose-o.D./		L	B	Screw size	Weight	Type No.
Version	Range					
Hose i.D. 13	18-26	63	18	M 8x30	140	SLE 13
Hose i.D. 19	26-33	71	18	M 8x30	160	SLE 19
Hose i.D. 25	32-40	81	18	M 10x35	210	SLE 25

### Hose Clamps DIN 20039 A, made of malleable iron, two parts with loose spacers

Hose-o.D./		L	B	Screw size	Weight	Type No.
Version	Range					
Hose i.D. 13	22-29	63	18	M 8x30	128	SL 29*
Hose i.D. 19	28-34	71	18	M 8x30	134	SL 34*
Hose i.D. 25	32-40	81	18	M 10x35	188	SL 40*
Hose i.D. 32	39-49	91	20	M 10x35	244	SL 49*
Hose i.D. 38	48-60	108	24	M 10x45	297	SL 60*
Hose i.D. 50	56-72	116	25	M 10x50	340	SL 72
Hose i.D. 50	60-76	127	25	M 10x50	405	SL 76*
Hose i.D. 63	77-94	146	30	M 12x55	556	SL 94*
Hose i.D. 75	73-94	139	25	M 12x110	665	SL 400
Hose i.D. 75	94-115	176	35	M 12x65	739	SL 115
Hose i.D. 89	113-127	170	27	M 12x110	890	SL 525
Hose i.D. 89	115-145	198	38	M 12x80	1046	SL 145
Hose i.D. 100	127-140	178	28	M 12x110	972	SL 550
Hose i.D. 100	135-155	194	27	M 12x110	984	SL 600
Hose i.D. 125	155-175	217	30	M 12x125	1130	SL 675
Hose i.D. 150	175-195	244	30	M 12x125	1445	SL 769
Hose i.D. 175	210-225	280	35	M 16x150	2163	SL 875
Hose i.D. 200	227-250	312	35	M 16x150	2610	SL 988

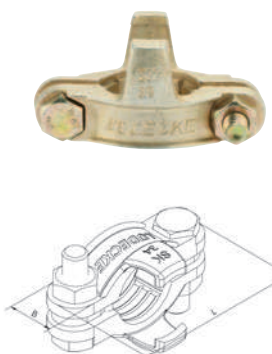
\*according to DIN 20039 A

### Hose Clamps DIN 20039 B, made of malleable iron, two parts with loose spacers and safety claws\*\*\*

Hose-o.D./		L	B	Screw size	Weight	Type No.
Version	Range					
Hose i.D. 13	22-29	63	18	M 8x30	142	SK 29
Hose 19x2		63	18	M 8x30	140	SK 29 FL**
Hose i.D. 19	28-32	77	21	M 10x35	220	SK 34
Hose 25x2		77	21	M 10x35	220	SK 34 FL**
Hose i.D. 25	35-42	90	22	M 10x35	272	SK 39
Hose i.D. 28	42-45	98	24	M 10x35	340	SK 44
Hose i.D. 35	45-53	108	25	M 10x45	380	SK 51
Hose i.D. 42	55-60	119	26	M 10x45	416	SK 60
Hose i.D. 50	60-73	132	30	M 12x55	637	SK 73
Hose i.D. 75	86-102	160	28	M 12x55	860	SK 75

\*\*for flat hose

\*\*\*PN 25 bar



# Hose Clamps

## US Version

- Robust clamps made of malleable iron, zinc plated and yellow passivated (free of chrome VI)
- Robust, easy and secure, for various fittings and applications

### Materials

- Clamps: Malleable iron, zinc-plated and yellow passivated (free of Chrome VI)
- Screws: Galvanized steel



Max. Working Pressure									
PN 25 bar									
<b>US Version Hose Clamps, two parts with safety claws</b>									
Hose-o.D./									
Version	Range	L	B	Screw size	Screws		Weight	Type No.	
Hose i.D. 13	21-27	45	55	M 8x35	2	10	171	LB-4	
Hose i.D. 19	30-35	43	65	M 8x45	2	10	176	SKA 34	
Hose i.D. 19	30-33	64	70	M 10x50	2	1	405	LBU-9	
Hose i.D. 19	33-38	70	71	M 10x50	2	1	413	LB-9	
Hose i.D. 19	38-43	68	78	M 10x60	2	1	433	LB-10	
Hose i.D. 25	34-45	70	85	M 10x50	2	1	500	SKA 10	
Hose i.D. 50	63-70	100	120	M 12x80	4	1	1503	LBU-29	

# Double-Ear Hose Clips

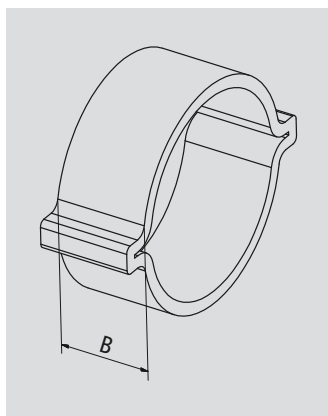
- Clips made of special reliable steel, zinc plated and blue chromated (free of chrome VI)
- Easy and fast assembly with pincer
- Concentric and strong clamp-effect, safe and unremovable
- No risk of injury, closed and unremovable connection
- Suitable for assembly of many hoses and fittings for use with various media

### Materials

- Clips: Unbreakable special reliable steel, zinc-plated and blue chromated (free of chrome VI)



100			
<b>Double-Ear Hose Clips</b>			
Hose-o.D./ Range	B	Weight	Type No.
5-7	5.5	1	ZOS 5-7
7-9	6	2	ZOS 7-9
9-11	6	2	ZOS 9-11
11-13	6	3	ZOS 11-13
13-15	7	4	ZOS 13-15
14-17	7.5	4	ZOS 14-17
15-18	8	5	ZOS 15-18
17-20	8	5	ZOS 17-20
19-21	7	5	ZOS 19-21
20-23	9	8	ZOS 20-23
22-25	9	9	ZOS 22-25
23-27	9	9	ZOS 23-27
25-28	9	10	ZOS 25-28
27-31	9	12	ZOS 27-31
31-34	9	13	ZOS 31-34
34-37	9	16	ZOS 34-37
37-40	9	17	ZOS 37-40
40-43	9	18	ZOS 40-43
Special assembly pincer		332	ZOSZ



# High-Performance Hose Clips

## made of Steel W1 (DIN 3017)

- High-performance hose clips made of steel W1, free of chrome VI, zinc-plated and thick layer passivated
- Optimum sealing through high band tension – maximum strip safety
- Hose-protective through rounded edges and smooth band inside
- Thinner screw body with new position, therefore improved torque
- Material and clamp range stamped at inner band side
- Hexagon screw with cross-slotted head
- Regularly spaced tension over complete hose diameter
- Up to size 90 in boxes, sizes 100-180 in plastic bags, from size 190 individually
- For safe, fast and removable use on various hoses and fittings for various media

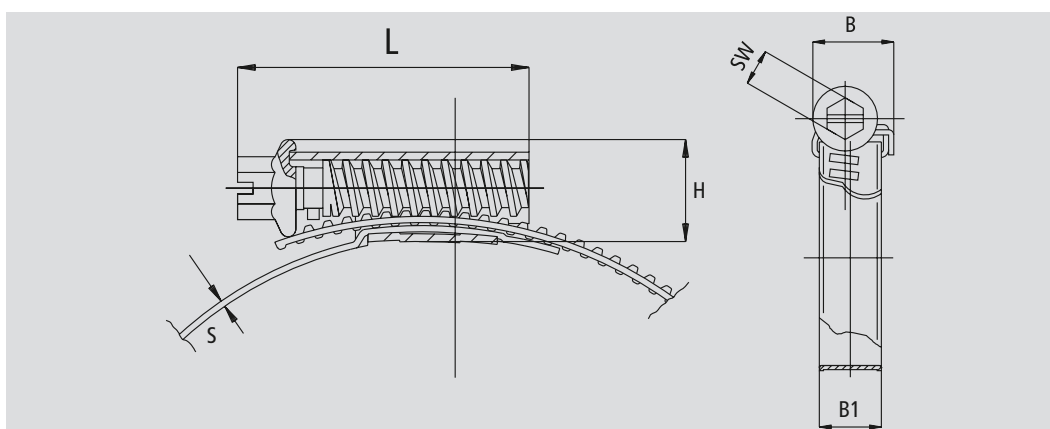
### Materials

- Band, Body, Screw: Steel W1, zinc-plated and thick layer passivated

Norm	
DIN 3017	

### High-Performance Hose Clips, band and lock steel W 1, zinc-plated

Range	inch	B	SW	torque		band width					Weight	Type No.
				Max.Nm	L	H	B1	S	band-thickness			
8-12	5/18-1/2	14	7	2-2.5	20.5	11.5	9	0.7	100	12	HS 12	
10-16	5/18-5/8	14	7	2-2.5	20.5	11.5	9	0.8	100	13	HS 16	
12-22	1/2-3/4	14	7	3-3.5	24	11.5	9	0.8	100	16	HS 20	
16-27	5/8-1	16	7	5-5.5	31	13	9	0.8	100	17	HS 25	
20-32	3/4-1 1/4	16	7	5-5.5	31	13	12	0.8	50	27	HS 32	
25-40	1-1 5/8	16	7	5-5.5	31	13	12	1.0	50	32	HS 40	
30-45	1 3/8-1 3/4	16	7	5-5.5	31	13	12	1.0	50	33	HS 45	
35-50	1 1/4-2	16	7	5-5.5	31	13	12	1.0	50	35	HS 50	
40-60	1 5/8-2 3/8	16	7	5-5.5	31	13	12	1.0	25	39	HS 60	
50-70	2-2 3/4	16	7	5-5.5	31	13	12	1.0	25	43	HS 70	
60-80	2 3/8-3 1/8	16	7	5-5.5	31	13	12	1.0	25	45	HS 80	
70-90	2 3/4-3 1/2	16	7	5-5.5	37	13	12	1.0	25	52	HS 90	
80-100	3 1/8-4	16	7	5-5.5	37	13	12	1.0	10	53	HS 100	
90-110	3 1/2-4 3/8	16	7	5-5.5	37	13	12	1.0	10	53	HS 110	
100-120	4-4 3/4	16	7	5-5.5	37	13	12	1.0	10	58	HS 120	
110-130	4 3/8-5 1/8	16	7	5-5.5	37	13	12	1.0	10	60	HS 130	
120-140	4 3/4-5 1/2	16	7	5-5.5	37	13	12	1.0	10	63	HS 140	
130-150	5 1/8-5 7/8	16	7	5-5.5	37	13	12	1.0	5	69	HS 150	
140-160	5 1/2-6 1/4	16	7	5-5.5	37	13	12	1.0	5	71	HS 160	
150-170	5 7/8-6 5/8	16	7	5-5.5	37	13	12	1.0	5	74	HS 170	
160-180	6 1/4-7	16	7	5-5.5	37	13	12	1.0	5	77	HS 180	
170-190	6 1/2-7 1/2	16	7	5-5.5	37	13	12	1.0	1	79	HS 190	
180-200	7 1/8-8	16	7	5-5.5	37	13	12	1.0	1	81	HS 200	
190-210	7 1/2-8 1/4	16	7	5-5.5	37	13	12	1.0	1	86	HS 210	
200-220	8-8 3/4	16	7	5-5.5	37	13	12	1.0	1	92	HS 220	
210-230	8 1/8-9	16	7	5-5.5	37	13	12	1.0	1	98	HS 230	
220-240	8 3/4-9 3/8	16	7	5-5.5	37	13	12	1.0	1	101	HS 240	
230-250	9-9 3/4	16	7	5-5.5	37	13	12	1.0	1	105	HS 250	
240-260	9 3/8-10 1/4	16	7	5-5.5	37	13	12	1.0	1	108	HS 260	
250-270	9 3/4-10 1/2	16	7	5-5.5	37	13	12	1.0	1	112	HS 270	
260-280	10 1/4-11	16	7	5-5.5	37	13	12	1.0	1	116	HS 280	



# High-Performance Hose Clips

made of Stainless Steel W5 (DIN 3017)

- High performance hose clips made of stainless steel W5
- Optimum sealing through high band tension – maximum strip-safety
- Hose-protective through rounded edges
- Stamped band
- Thinner screw body with new position, therefore improved torque
- Material and clip range stamped at inner band side
- Hexagon screw with slotted head
- Regularly spaced tension over complete hose diameter
- Up to size 90 in boxes, size 100 in plastic bags
- For safe, fast and removable use on various hoses and fittings for various media

## Materials

- Band, Body, Screw: Stainless steel W5
- Special Screw Driver: Chromed steel/ plastic

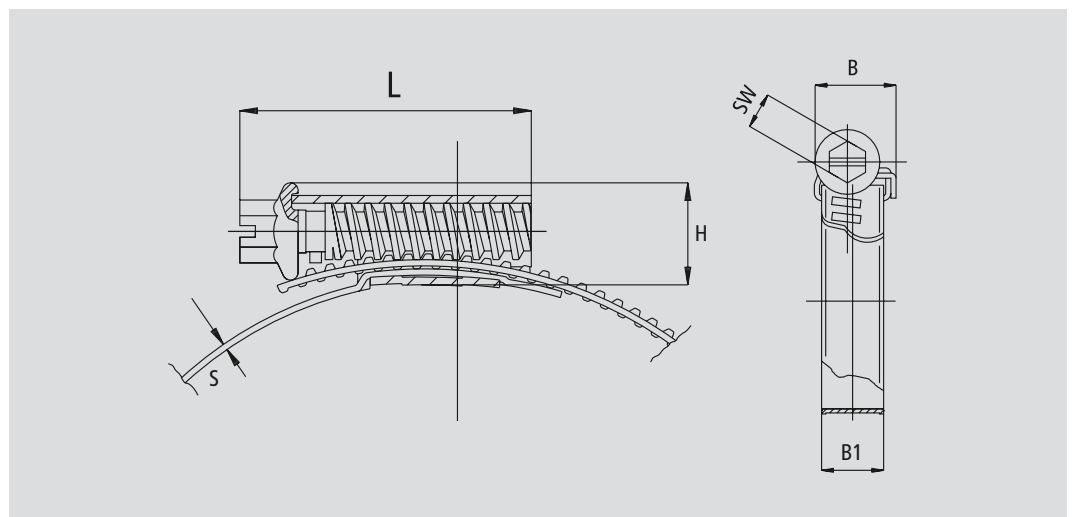
Norm	
DIN 3017	

## High-Performance Hose Clips, band and lock stainless steel W 5

Range	torque				Band-width				Weight	Type No.	
	B	SW	Max. Nm.	L	H	B1	S	band-thickness			
8-12	5/18-1/2	10.5	6	1.5	17	9.5	8	0.7	100	6	HSE 12
8-16	5/18-5/8	14	7	2-2.5	21	14	9	0.8	100	11	HSE 16
12-20	1/2-3/4	14	7	2-2.5	24	14	9	0.8	100	13	HSE 20
16-25	5/8-1	14	7	3-3.5	24	14	9	0.8	100	14	HSE 25
20-32	3/4-1 1/4	14	7	3-3.5	24	14	9	0.8	100	15	HSE 32
25-40	1-1 5/8	14	7	3-3.5	26	14	9	0.8	50	18	HSE 40
32-50	1 1/4-2	14	7	3-3.5	26	14	9	0.8	50	18	HSE 50
40-60	1 5/8-2 3/8	14	7	3-3.5	26	14	9	1.0	25	20	HSE 60
50-70	2-2 3/4	14	7	3-3.5	26	14	9	1.0	25	21	HSE 70
60-80	2 3/8-3 1/8	14	7	3-3.5	26	14	9	1.0	25	23	HSE 80
70-90	2 3/4-3 1/2	14	7	3-3.5	26	14	9	1.0	25	25	HSE 90
80-100	3 1/8-4	14	7	3-3.5	26	14	9	1.0	10	28	HSE 100

## Special hexagon screw driver of chromed steel with plastic handle

Version	SW	Weight	Type No.
Rigid	7	89	SR STARR
Flexible	7	134	SR FLEX.



# Heavy Duty Clamps

made of Steel (DIN 3017)

- Heavy duty clamp made of stainless steel 1.4016
- New special screw with integrated distance tube and better performance
- Reinforced band strap and therefore higher torques (very high breaking torque and very high clamping force)
- Mechanical mounting, therefore no welding points and corrosion contact
- Bridge for sustainable hose relief
- Robust band with rounded edges prevents injuries and hose break
- Simple installation (with manual, pneumatic or electrical standard tools)
- Packed in boxes
- For applications with strict requirements for the hose clamps (for the application of suction and compressed air hoses with high degree of hardness or with plastic / steel core)

**Materials**

- Band: Stainless steel 1.4016
- Body, Screws: Steel zinc-plated (free of chrome VI)

Norm	
DIN 3017	

**Heavy Duty Clamps**

Range	torque	Band width	Band thickness	Weight	Type No.			
						SW	Max. Nm.	B1
17-19	11/16-3/4	8	8	18	0.6	100	52	GBSM 19
19-21	3/4-13/16	8	8	18	0.6	100	52	GBSM 21
21-23	13/16-15/16	8	8	18	0.6	100	52	GBSM 23
23-25	15/16-1	8	8	18	0.6	100	52	GBSM 25
25-27	1-1 1/16	8	8	18	0.6	50	52	GBSM 27
27-29	1 1/16-1 1/8	8	8	18	0.6	50	52	GBSM 29
29-31	1 1/8-1 1/4	8	8	18	0.6	50	85	GBSM 31
31-34	1 1/4-1 5/16	8	8	18	0.6	50	85	GBSM 34
34-37	1 5/16-1 7/16	8	8	18	0.6	50	85	GBSM 37
37-40	1 7/16-1 9/16	8	8	18	0.6	50	85	GBSM 40
40-43	1 9/16-1 11/16	8	8	18	0.6	50	85	GBSM 43
43-47	1 11/16-1 7/8	10	10	20	0.8	25	85	GBSM 47
47-51	1 7/8-2	10	10	20	0.8	25	85	GBSM 51
51-55	2-2 3/16	10	10	20	0.8	25	115	GBSM 55
55-59	2 3/16-2 5/16	10	10	20	0.8	25	115	GBSM 59
59-63	2 5/16-2 1/2	10	10	20	0.8	25	115	GBSM 63
63-68	2 1/2-2 11/16	10	10	20	0.8	10	115	GBSM 68
68-73	2 11/16-2 7/8	13	20	25	1.0	10	153	GBSM 73
73-79	2 7/8-3 1/8	13	20	25	1.0	10	153	GBSM 79

